



CARETUA  
WORKING TOGETHER WITH CARE

**esense**  
created by **INDEX**

## Product leaflet esense Line patient lift series

**Always read the full user guide before use.**

The user guide is available on [www.esense-moves.com](http://www.esense-moves.com) on the product page of the esense Line ("downloads" tab).

### Product description

The lifts in the Line series are *passive* patient lifts. With this type of lift you can transfer a patient with minimal force. Line patient lifts are standard equipped with esense power assist drive system (also available as manual version), can be delivered with a 4-point electric hanger bar (clips) or 2-point hanger bar (loops) and optionally equipped with a weigh system.

### Use instructions

- Always **check** the patients' **medical file** to learn if the patient has any limitations regarding patient lift transfers.
- Esense lifts are **guaranteed to be safe** to use in combination with '**esense**' slings, identified by the label. When using slings of other brands, make sure the clips are compatible with the geometry of the lugs on the hanger bar; if in doubt about compatibility, check with the sling manufacturer. Specifications of the lugs can be found in the full user guide.
- Use the **hand control** to control the various **electrical adjustments**: the leg adjustment, hanger bar adjustment (4-point hanger bar only) and height adjustment. When the button is released the corresponding movement stops immediately.
- Pressing the red **emergency switch** immediately switches off *all* motors.
- In case a system fault occurs during a transfer, the patient can manually be lowered using the **emergency lowering** crank on top of the mast.
- For patient lifts equipped with a weigh system – The weigh system is suited for indicative weighing of persons in the patient lift; it is not certified as medical weighing device (NAWI 2009/23/EU Class III). Check the full user guide for information on how to use the weigh system.
- For patient lifts equipped with esense drive system – The power assist functionality is activated by sensitive **sensors in the pushbar**. Ensure at all times that the pushbar can move freely and that no external forces are exerted on the pushbar, other than the push and pull forces required for manoeuvring the lift.

### Important safety instructions

- Ensure that you never lift patients weighing over the **maximum weight capacity**. Never lift more than one patient at a time and never leave a patient in the lift unsupervised.
- When using the patient lift ensure that **no lateral forces** are being exerted on the patient, the lifting arm or the mast: this may lead to decreased stability of the lift.
- The patient lift is not suited to be exposed to large quantities of **water**; e.g. it is not suited for use under a shower.
- Do not expose the lift to temperatures **below -5°C** or **over 50°C**.
- Before every use always **check** the slings – in particular **straps** and **clips/loops** – for any signs of wear or damage.
- Regularly **check** the lift for **loosened parts (bolts, axles) and wear** of e.g. rubbers, wiring, straps or plastic covers. In case of any irregularities please stop using the lift and contact your supplier/service department immediately.
- For patient lifts equipped with esense drive system – The power assist functionality contains **moving parts** required for driving and steering of the drive wheel. These components are protected by the blue cover at the back of the lift: prevent hands or fingers from getting stuck underneath the cover and always make sure to switch off the system before carrying out any maintenance.

### Certification

All esense products are marked with a **CE** certification. The products are classified as class I of the Medical Devices directive **MDD 93/43/EEC**. All esense products are tested and meet the requirements of **NEN EN ISO 10535** 'Hoist for the transfer of disabled persons – Requirements and test methods' and **NEN EN ISO 60601-1** 'Medical electrical equipment'.

### Product lifespan

If used and maintained correctly the average lifespan of the patient lift shall be 8 years minimum.

## Cleaning

For cleaning it is best to use regular, non-aggressive and non-abrasive cleaning products (PH 5,5-8). Wipe the lift with a well-wrung damp cloth using clean water to remove all disinfectant residue.

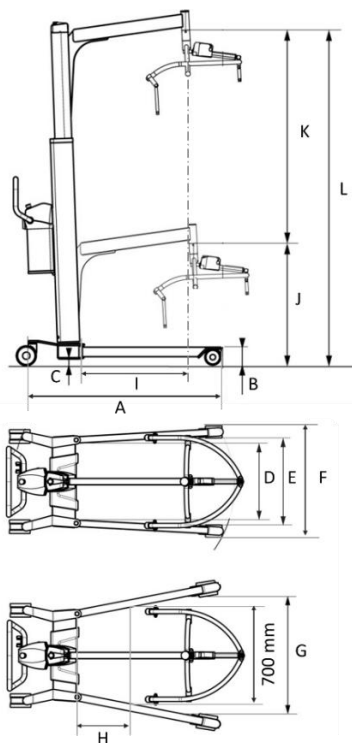
## Service and (periodic) maintenance

In accordance with NEN-EN ISO 10535 the patient lift needs to be inspected at least once a year by someone qualified by the manufacturer. In accordance with NEN-EN ISO 10535 the slings need to be inspected by an authorised person at least twice a year. It is required to keep a maintenance log in which all relevant observations regarding defects, damage and wear are reported.

Any defects, damage or wear need to be reported to the manufacturer or supplier immediately and the concerned lift needs to be taken out of order until further inspection and until after reparation.

In case an error occurs, first check the quick debugging guide in the full user guide. In general, please contact your service department or supplier in case a system fault/error occurs, for maintenance and service (e.g. availability of spare parts).

## Technical specifications



#	Lift dimensions	Line	Line200	Line230
A	Length of base	100 cm	120 cm	120 cm
B	Height of the base	11,5 cm	11,5 cm	11,5 cm
C	Min. clearance to floor	3,7 cm	3,7 cm	3,7 cm
D	Min. internal width	46 cm	60 cm	46 cm
E	Max. internal width – closed legs	53 cm	65,5 cm	59,5 cm
F	Max. external width – closed legs	67,5 cm	75,5 cm	74 cm
G	Max. internal width – open legs	103 cm	127 cm	127 cm
H	Distance front lower mast to 700mm internal width reference point (open legs)	22,5 cm	12 cm	21,7 cm
I	Max. distance front lower mast to hanger bar attachment point	50,9 cm	67,7 cm	50,9 cm
J	Min. height hanger bar attachment point	74,5 cm	74,5 cm	74,5 cm
K	Max. height hanger bar attachment point	204 cm	204 cm	204 cm
L	Vertical range	129,5 cm	129,5 cm	129,5 cm
-	Weight capacity	150 kg	200 kg	230 kg
-	Weight patient lift (incl. battery, excl. hanger bar)	64 kg	67 kg	65 kg
-	Weight electrical 4-point / 2-point hanger bar	7 kg/5 kg	7 kg/5 kg	7 kg/5 kg
-	Weight esense drive system	14 kg	14 kg	14 kg
-	Protection grade – patient lift and hand control	IPx2	IPx2	IPx2
-	Protection grade – esense drive system	IPx3	IPx3	IPx3

## Manufacturer and supplier

esense is a product by
Indes Production Management B.V.
Pantheon 28
7521 PR
Enschede
The Netherlands
+31 (0)53 4803920
<a href="mailto:info@esense-moves.com">info@esense-moves.com</a> / <a href="http://www.esense-moves.com">www.esense-moves.com</a>

Your supplier	Name:	
	Address:	
	Postal code:	
	City:	
	Country:	
	Phone:	
	Email:	



**CARETUA**  
WORKING TOGETHER WITH CARE  
**SALES & SERVICE**

**IRE - Dublin**  
U3, Westpoint Business Park,  
Mulhuddart, Dublin 15, D15 K235  
P: +353 1 443 3390

**UK - London**  
20-22 Wenlock Road,  
London, N1 7GU  
P: +44 (0)20 8133 3907

**NI - Belfast**  
P: +44 (0)28 9581 8304

E: info@caretua.com  
W: www.caretua.com