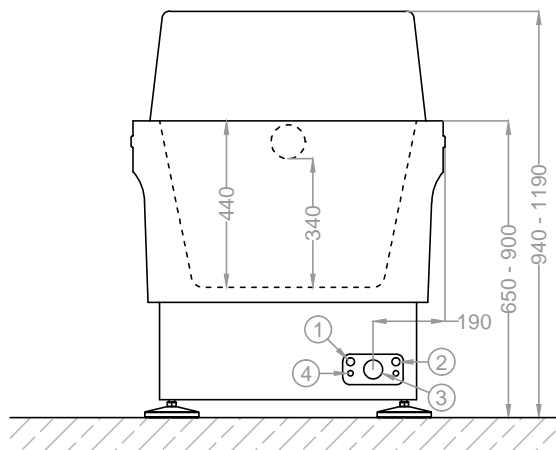


## View Back Side

Wall Connections



**CARETUA**  
WORKING TOGETHER WITH CARE



### On-Site Requirements for Lifting Bathtub GK Basic+ Protection Class II

CW : cold water supply, recommended 2-5 bar, isolation valve, fitting R ½" with outer thread, vertical output

HW : hot water supply, recommended 2-5 bar, isolation valve, fitting R ½" with outer thread, vertical output

WW : waste water connection, plug-in sleeve DN 50

The provision of suitable hot, cold and waste water connections must be undertaken by a qualified plumber and comply with current regulations and plumbing guidelines.

E : The tub must be connected to a Residual Current protective Device (RCD) - 10 A.

All electrical connections must be performed by a licensed electrician in accordance with national electric codes as a minimum requirement.

Technical changes reserved.

### Scope of Delivery

2 pcs water connection tube ½" - 0,8 m

1 pc power supply cable - 1,5 m

### Technical Overview GK Basic+

Protection Class II - Wall Connections

1	Connection Hot Water 1/2" with Non Return Valve
2	Connection Cold Water 1/2" with Non Return Valve
3	Connection for Drain Hose DN 50
4	Power Supply 230 V / 50 Hz

Plan Nr.:

Last Modification: October 2014

Georg Krämer Ges.m.b.H. & CO.Kg  
Neuhauserweg 14  
A-4061 Pasching

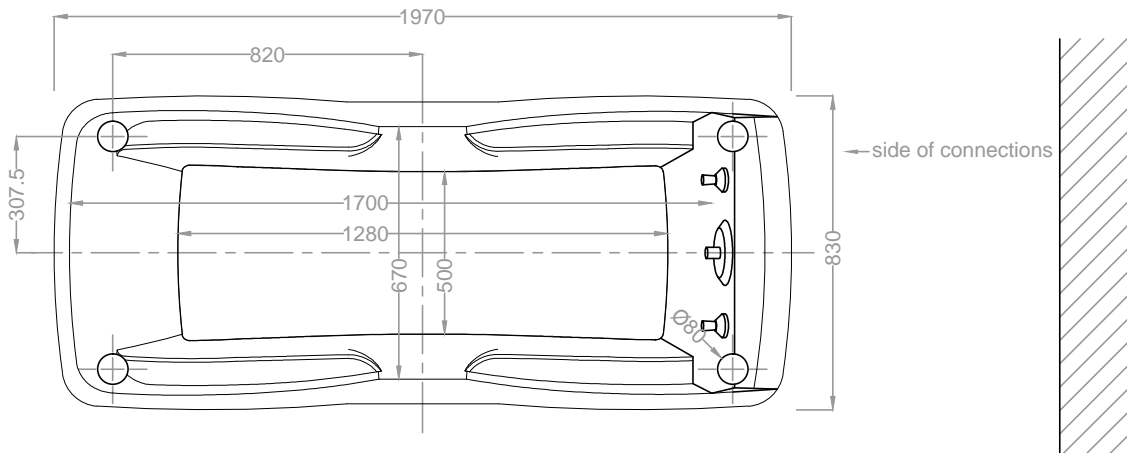
Tel: 0 72 29 / 6 44 50

Fax: 0 72 29 / 70 6 64

e-mail: office@gk-medizinmechanik.at

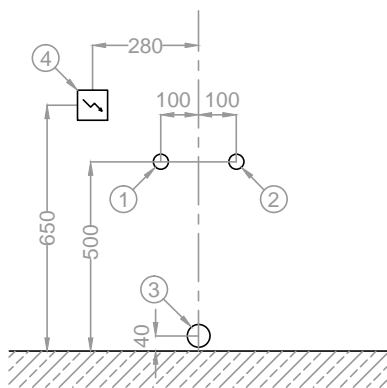
# View Top

## Wall Connections



### Detail-Sketch

#### Wall Connections



**CARETUA**  
WORKING TOGETHER WITH CARE

**SALES & SERVICE**

E: info@caretua.com  
W: www.caretua.com

**IRE - Dublin**  
U3, Westpoint Business Park,  
Mulhuddart, Dublin 15, D15 R295  
P: +353 1 443 3390

**UK - London**  
20-22 Wentlock Road,  
London, N1 7GU  
P: +44 (0)20 8133 3907

**NI - Belfast**  
P: +44 (0)28 9581 8304

### Technical Data GK Basic+

Overall length :	1970 mm
Overall weight (without water) :	150 kg
Maximally allowed weight of person :	200 kg
Maximum water capacity (without person) :	250 l
Maximum length of stroke :	250 mm

### Floor loading

Per adjustable foot :	125 kg
-----------------------	--------

## Technical Overview GK Basic+

### Protection Class II - Wall Connections

1	Connection Hot Water 1/2" with Non Return Valve
2	Connection Cold Water 1/2" with Non Return Valve
3	Plug-In Sleeve DN 50
4	Power Supply 230 V / 50 Hz

Plan Nr.:

Last Modification: October 2014

Georg Krämer Ges.m.b.H. & CO.Kg  
Neuhauserweg 14  
A-4061 Pasching

Tel: 0 72 29 / 6 44 50  
Fax: 0 72 29 / 70 6 64  
e-mail: office@gk-mechanik.at