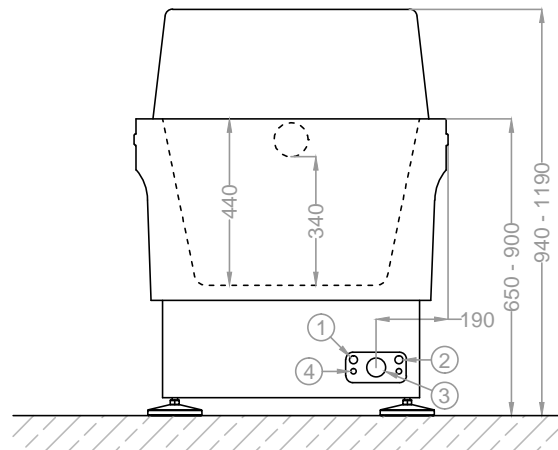


View Back Side

Wall Connections



CARETUA
WORKING TOGETHER WITH CARE



On-Site Requirements for Lifting Bathtub GK Basic+ Protection Class I

CW : cold water supply, recommended 2-5 bar, isolation valve, fitting R ½" with outer thread, vertical output

HW : hot water supply, recommended 2-5 bar, isolation valve, fitting R ½" with outer thread, vertical output

WW : waste water connection, plug-in sleeve DN 50

The provision of suitable hot, cold and waste water connections must be undertaken by a qualified plumber and comply with current regulations and plumbing guidelines.

- E :**
- The tub must be connected to a Residual Current protective Device (RCD) - 10 A.
 - Your bath must be earth bonded and an appropriate earth bonding test completed before use.

All electrical connections must be performed by a licensed electrician in accordance with national electric codes as a minimum requirement.

Technical changes reserved.

Scope of Delivery

- 2 pcs water connection tube ½" - 0,8 m
- 1 pc power supply cable - 1,5 m

Technical Overview GK Basic+

Protection Class I - Wall Connections

Plan Nr.:

Last Modification: October 2014

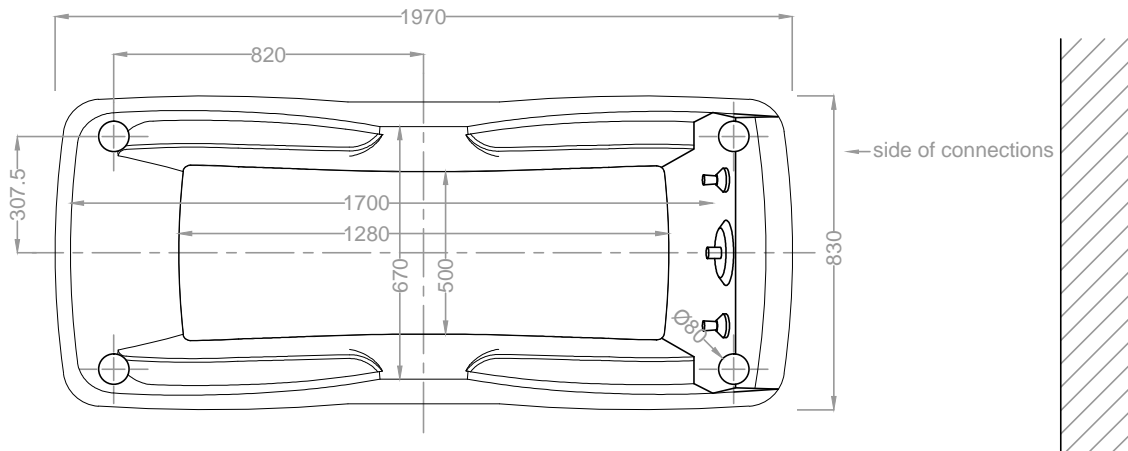
Georg Krämer Ges.m.b.H. & CO.Kg
Neuhauserweg 14
A-4061 Pasching

Tel: 0 72 29 / 6 44 50
Fax: 0 72 29 / 70 6 64
e-mail: office@gk-medizinmechanik.at

1	Connection Hot Water 1/2" with Non Return Valve
2	Connection Cold Water 1/2" with Non Return Valve
3	Connection for Drain Hose DN 50
4	Power Supply 230 V / 50 Hz
5	Earth Bonding

(Connection point is provided on the main chassis.)

View Top Wall Connections



CARETUA
WORKING TOGETHER WITH CARE
SALES & SERVICE

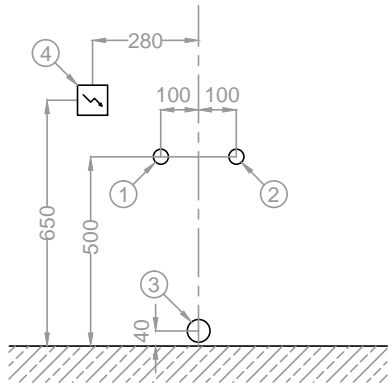
IRE - Dublin
U3, Westpoint Business Park,
Mulhuddart, Dublin 15, D15 R295
P: +353 1 443 3390

UK - London
20-22 Wenlock Road,
London, N1 7GU
P: +44 (0)20 8133 3907

NI - Belfast
P: +44 (0)28 9581 8304

E: info@caretua.com
W: www.caretua.com

Detail-Sketch Wall Connections



Technical Data GK Basic+

Overall length :	1970 mm
Overall weight (without water) :	150 kg
Maximally allowed weight of person :	200 kg
Maximum water capacity (without person) :	250 l
Maximum length of stroke :	250 mm

Floor loading

Per adjustable foot :	125 kg
-----------------------	--------

Technical Overview GK Basic+ Protection Class I - Wall Connections

1	Connection Hot Water 1/2" with Non Return Valve
2	Connection Cold Water 1/2" with Non Return Valve
3	Plug-In Sleeve DN 50
4	Power Supply 230 V / 50 Hz
5	Earth Bonding
	(Connection point is provided on the main chassis.)
NR.:	Designation

Plan Nr.: Last Modification: October 2014

Georg Krämer Ges.m.b.H. & CO.Kg
Neuhauserweg 14
A-4061 Pasching

Tel: 0 72 29 / 6 44 50
Fax: 0 72 29 / 70 6 64
e-mail: office@gk-medizinmechanik.at