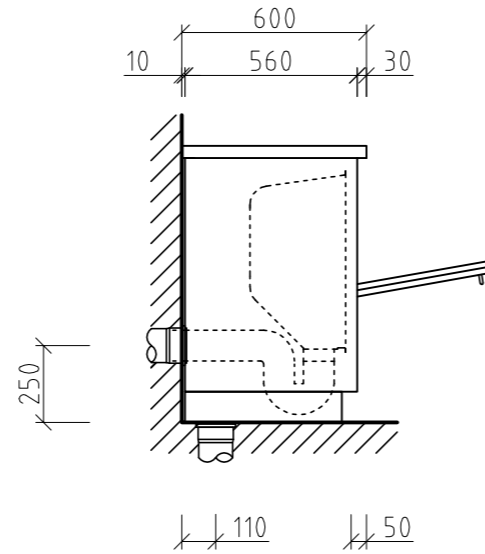
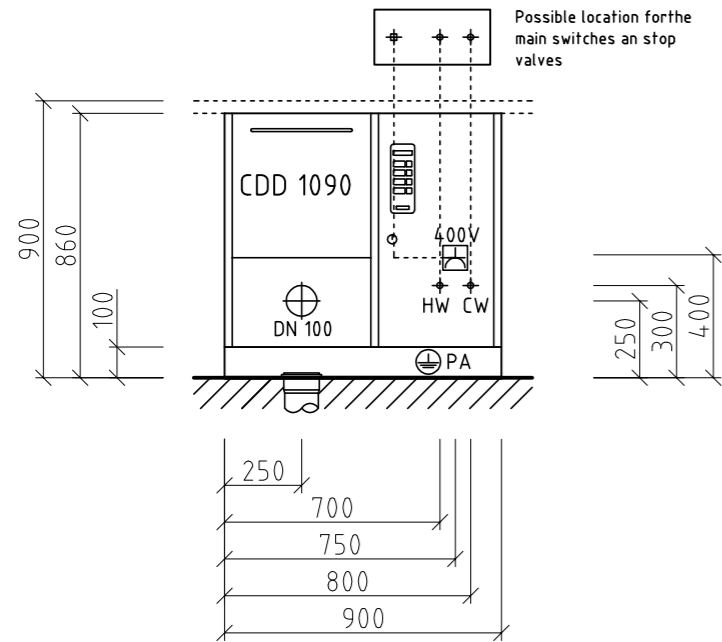


Geysir CDD 1090
model: Basic, Classic and Premium

Technical data:

Device in underbuild version
Wall- or floordrain possible



HW, CW

provided by the device: Media connections wall fitting

CW

Cold water connection, recommended 10°dH, 18l/min, 2-5 bar
provided by the device: R 3/4" tube, 1,2 m in from the device
With union nut, angled filter

Site: stop union as ball valve with 3/4" AG flat sealing

HW

Hot water connection, recommended 10°dH, 18l/min, 2-5 bar, min. 40°C
provided by the device: R 3/4" tube, 1,2 m in from the device
With union nut, angled filter

Site: stop union as ball valve with 3/4" AG flat sealing

⊠

Electrical connection:

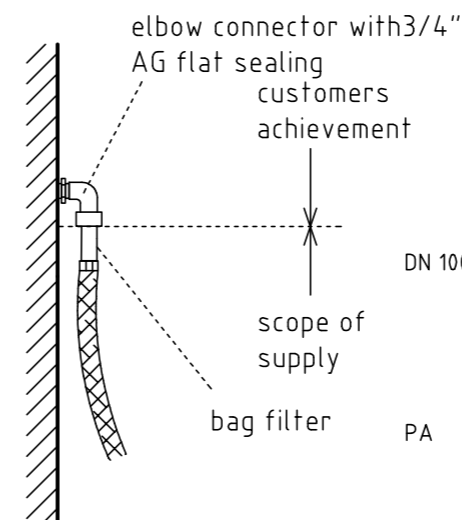
provided by the device: cable on device 5x1,5mm², H05-RN, length=0,8m

Site: connected load: 400V, 3Ph, N/PE, 50Hz, 4,85kW
all poles main switch and device junction box,
security 10A

Possible alternative:

Site: connected load: 1x 230V, 1 P+N+E, 50Hz, 3,35 KW
all poles main switch and device port box,
hedging 16A

water supply
(no scale)



DN 100

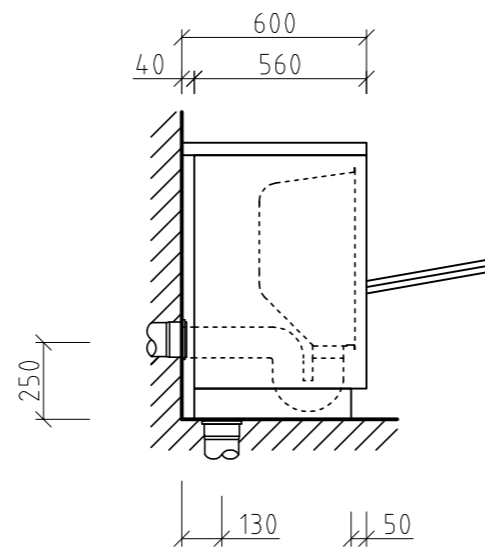
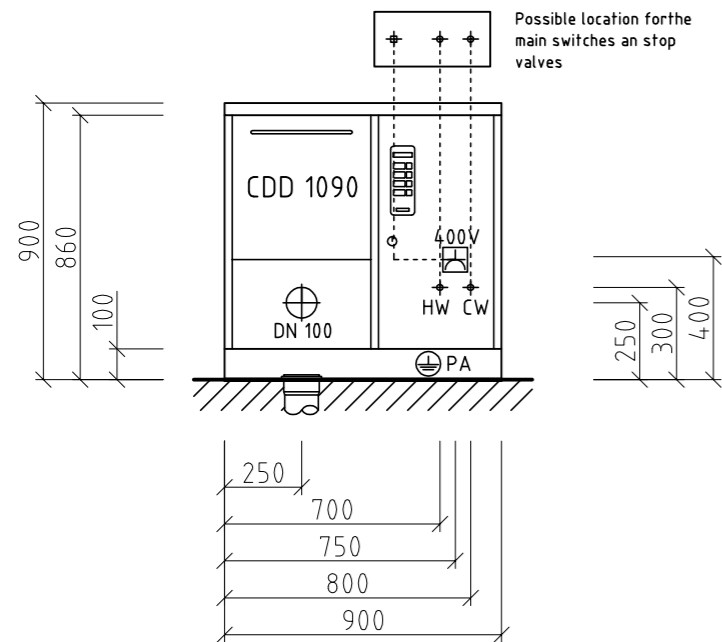
provided by the device: sifon with coupler coupling sleeve DN 100 / NW 110

Site: connecting sleeve DN 100 / NW 110, effluent
ca. 60 °C, pH-value 5-9, downpipe rearwards
and downward possible

PA

potential equalization

Device freestanding with lid
Wall- or floordrain possible
backframe as an option



General information:

Water Connections: Armored tubes incl. bag filter are included.
Protective device, for example, electrical insurance, safety valves,
water filters 100 µm are on site.
Stop valves and main switches are on site at user-friendly body.

This drawing is the property of the company Lischka GmbH and only with their consent totally or partially reproduced, copied or be given to third parties. Subject to change.	date:	signature:				description: Geysir CDD 1090 - 2	project-number:	
	release principal:						construction drawing	
	date:	signature:				drawn: Mr. von Busch	drawing-number:	CDD 1090 - 2
	release LISCHKA GmbH	index:	changes:	date:	name:	graduation: 1:25 to DIN A3	Date:	03.01.2011